



ZANOTTI Spa
Via M.L. King, 30
46020 - Pegognaga (MN) - ITALY
Tel. +39 0376 5551
Fax +39 0376 536554
info@zanotti.com

Technical specifications

Version 1.35

Model:

Class:

BDB150ND01F

Uniblock DB-D

Technical data

Characteristics	M.U.	Value
Working temperature	°C	-15 ÷ -25
Starting mode		Direct
Voltage	Volt-Ph-Hz	400/3N~/50
Rated input	kW*	7,00
Rated input	Amp*	15,70
Peak current	Amp	85,0
Max current	Amp	22,0
Refrigerant		R404A
Defrost		Electric
Defrost heaters	watt	8050
Condensing unit mass	Kg	298
Evaporator mass	Kg	88



Compressor

Type		Semihermetic
Nominal power	kW	5,5

Condenser

Air flow	m³/h	6800
----------	------	------

Evaporator

Air flow	m³/h	6800
Air throw	m**	24

Standard liquid receiver	lt	12
--------------------------	----	----

PED Category		2
--------------	--	---

Power data

Tc °C	Ta °C	P watt	P Kcal/h	V120 m³	V100 m³	V80 m³
-15	20	12342	10614	320	285	250
	25	11630	10002	295	263	230
	30	10878	9355	269	239	210
	35	10096	8683	243	216	190
	40	9290	7989	216	192	168
-20	45	8468	7282	190	169	148
	20	10555	9077	258	230	201
	25	9913	8525	237	211	185
	30	9293	7992	216	192	168
	35	8668	7454	196	174	153
-25	40	8014	6892	175	156	136
	45	7305	6282	154	137	120
	20	8970	7714	206	183	161
	25	8470	7284	190	169	148
	30	7894	6789	172	153	134
-25	35	7271	6253	153	136	119
	40	6630	5702	134	119	105
	45	6001	5161	116	103	90

* When normally running: -20 ÷ +30°C

** Use air throw as a base. Air throw is affected by many factors such as height of room, product storage, location of evaporator, etc.

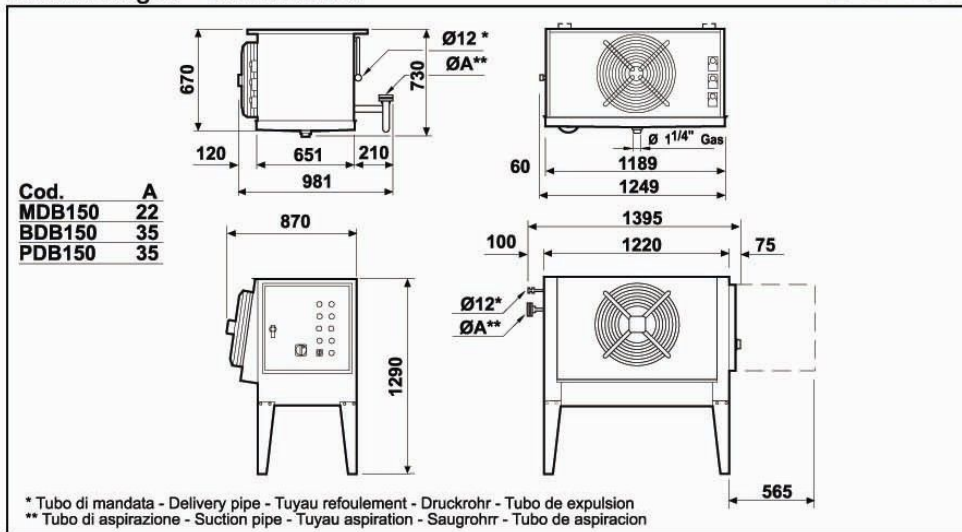
§ Liquid receiver: remote type

Tc: Coldroom temp. - Ta: External temp.

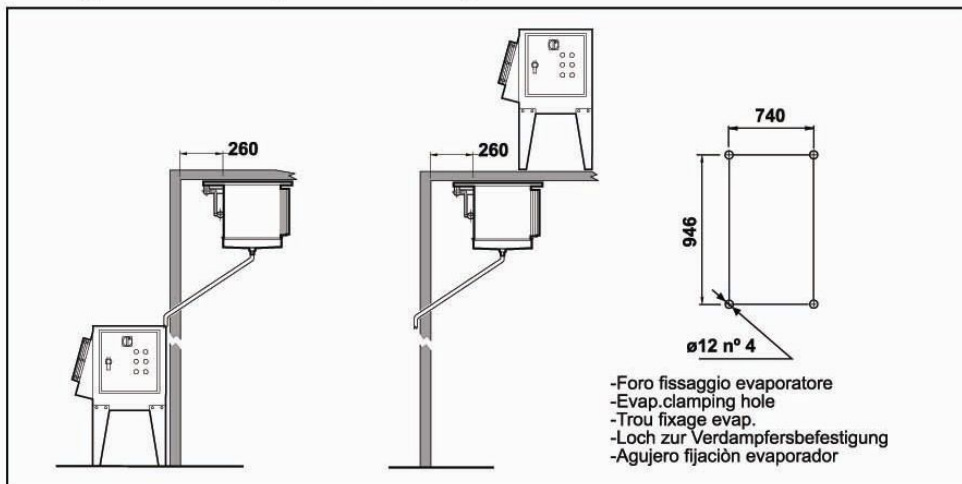
P: Refrigerant capacity - V: Recommended cold-room volume

Dimensioni - Dimensions - Dimensions
Abmessungen - Dimensiones

DB150

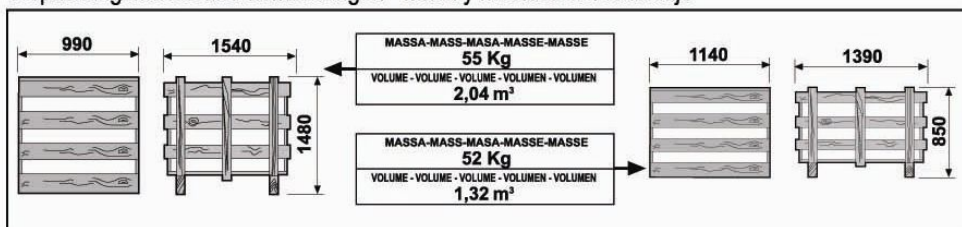


Schema di montaggio - Mounting scheme - Schema de montage
Montageschema - Esquema de montaje



- * Raccomandazioni in sede di installazione e per il controllo fornite sul manuale di installazione
- * To be advised at time of order for factory installation and operating instructions
- * Recommendations au moments d'installations et pour le contrôle fournis sur le manuel d'installation
- * Empfehlungen für die Installationsphase und zur Kontrolle, die im Handbuch zur Installation enthalten sind
- * Por cuanto respecta a recomendaciones de instalación y control ver manual de instalación

Massa e misure imballi - Packing mass and dimensions - Masse et dimensions emballages
Verpackungsmasse und-abmessungen - Masa y medidas del embalaje



ZANOTTI S.p.A.