



ZANOTTI Spa
Via M.L. King, 30
46020 - Pegognaga (MN) - ITALY
Tel. +39 0376 5551
Fax +39 0376 536554
info@zanotti.com

Technical specifications

Version 1.35

Model: **MDB360ND01F** Class: **Uniblock DB-D**

Technical data

Characteristics	M.U.	Value
Working temperature	°C	+10 ÷ -5
Starting mode		PW
Voltage	Volt-Ph-Hz	400/3N~/50
Rated input	kW*	31,80
Rated input	Amp*	71,40
Peak current	Amp	168,0
Max current	Amp	89,8
Refrigerant		R404A
Defrost		Electric
Defrost heaters	watt	24720
Condensing unit mass	Kg	1300
Evaporator mass	Kg	660

Compressor

Type		Semihermetic
Nominal power	kW	26

Condenser

Air flow	m³/h	34000
----------	------	-------

Evaporator

Air flow	m³/h	31600
Air throw	m**	40

Standard liquid receiver	lt	74
--------------------------	----	----

PED Category		3
--------------	--	---



Power data

Tc °C	Ta °C	P watt	P Kcal/h	V100 m³	V80 m³	V60 m³
10	20	86046	74000	2731	2485	2267
	25	81356	69966	2568	2337	2131
	30	76685	65949	2406	2189	1997
	35	71990	61911	2244	2042	1863
	40	67226	57814	2082	1895	1728
5	45	62351	53622	1916	1744	1590
	20	75815	65201	2376	2162	1972
	25	71815	61761	2238	2037	1858
	30	67701	58223	2098	1909	1741
	35	63479	54592	1955	1779	1623
0	40	59153	50872	1809	1646	1501
	45	54728	47066	1661	1512	1379
	20	66892	57527	2070	1884	1718
	25	63307	54444	1949	1774	1618
	30	59599	51255	1824	1660	1514
-5	35	55790	47979	1696	1543	1408
	40	51904	44637	1567	1426	1301
	45	47965	41250	1436	1307	1192
	20	58328	50162	1781	1621	1478
	25	55261	47524	1679	1528	1394
-5	30	52048	44761	1572	1431	1305
	35	48738	41915	1462	1330	1213
	40	45378	39025	1351	1229	1121
45	42018	36135	1241	1129	1030	

* When normally running: 0 ÷ +30°C

** Use air throw as a base. Air throw is affected by many factors such as height of room, product storage, location of evaporator, etc.

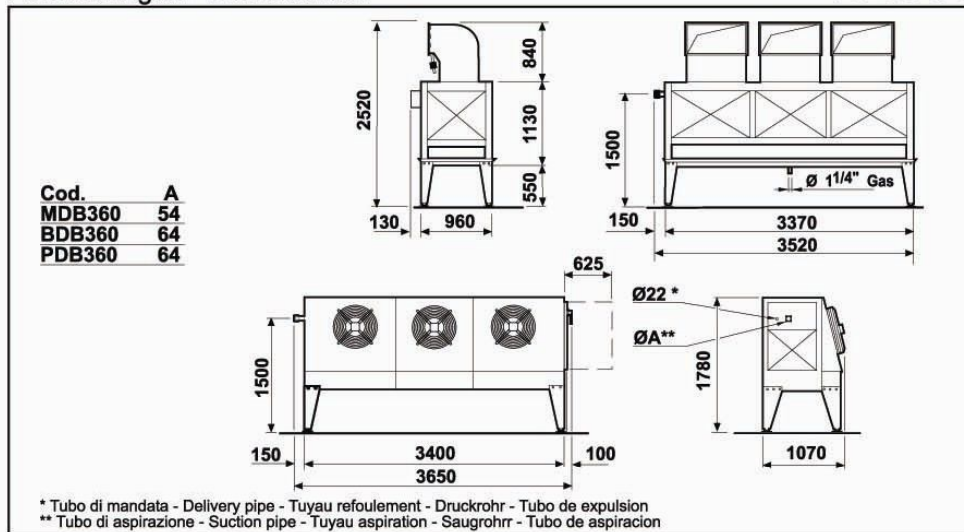
§ Liquid receiver: remote type

Tc: Coldroom temp. - Ta: External temp.

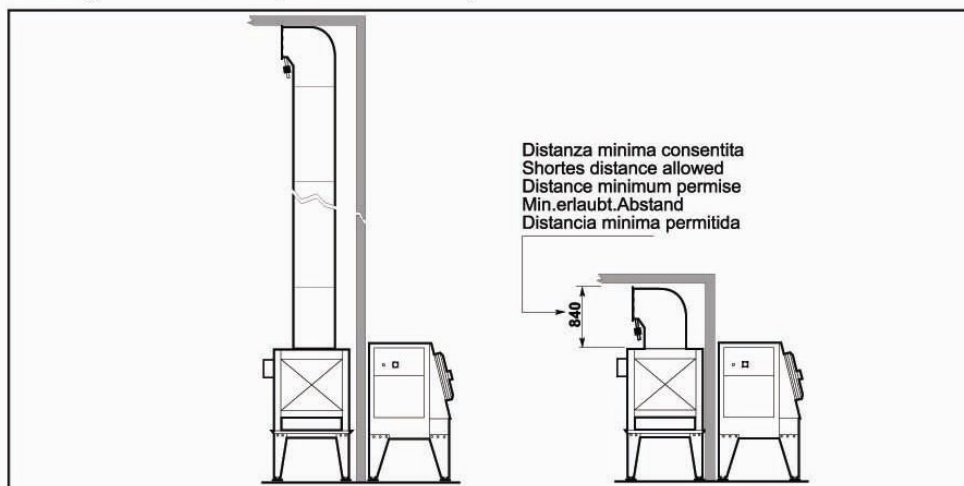
P: Refrigerant capacity - V: Recommended cold-room volume

Dimensioni - Dimensions - Dimensions
Abmessungen - Dimensiones

DB360



Schema di montaggio - Mounting scheme - Schema de montage
Montageschema - Esquema de montaje



- * Raccomandazioni in sede di installazione e per il controllo fornite sul manuale di installazione
- * To be advised at time of order for factory installation and operating instructions
- * Recommendations au moments d'installations et pour le contrôle fournis sur le manuel d'installation
- * Empfehlungen für die Installationsphase und zur Kontrolle, die im Handbuch zur Installation enthalten sind
- * Por cuanto respecta a recomendaciones de instalaciòn y control ver manual de instalaciòn

Massa e misure imballi - Packing mass and dimensions - Masse et dimensions emballages
Verpackungsmasse und-abmessungen - Masa y medidas del embalaje



ZANOTTI S.p.A.